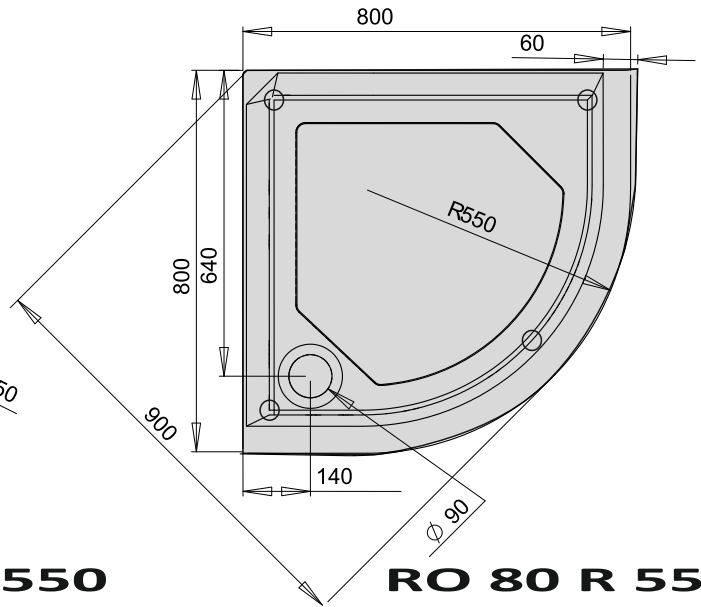
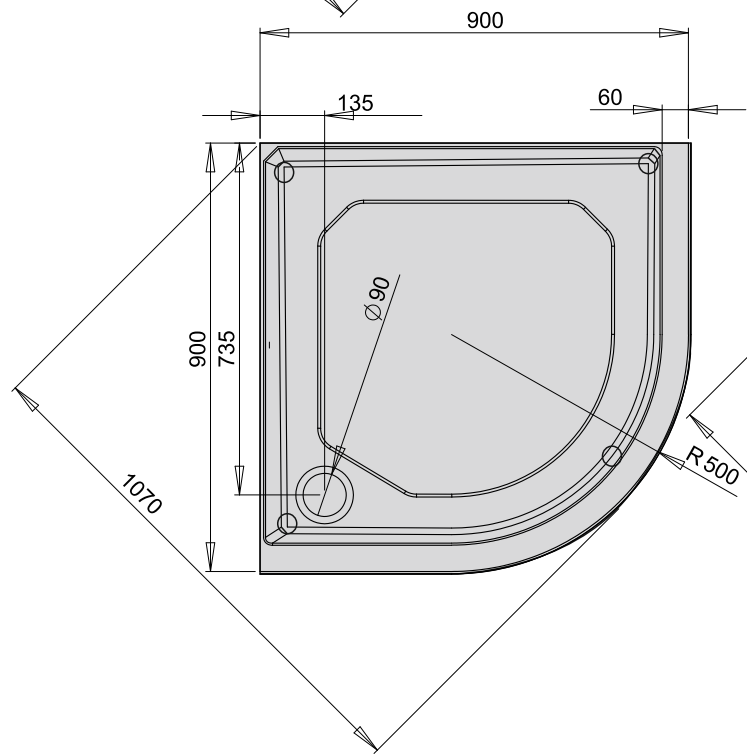


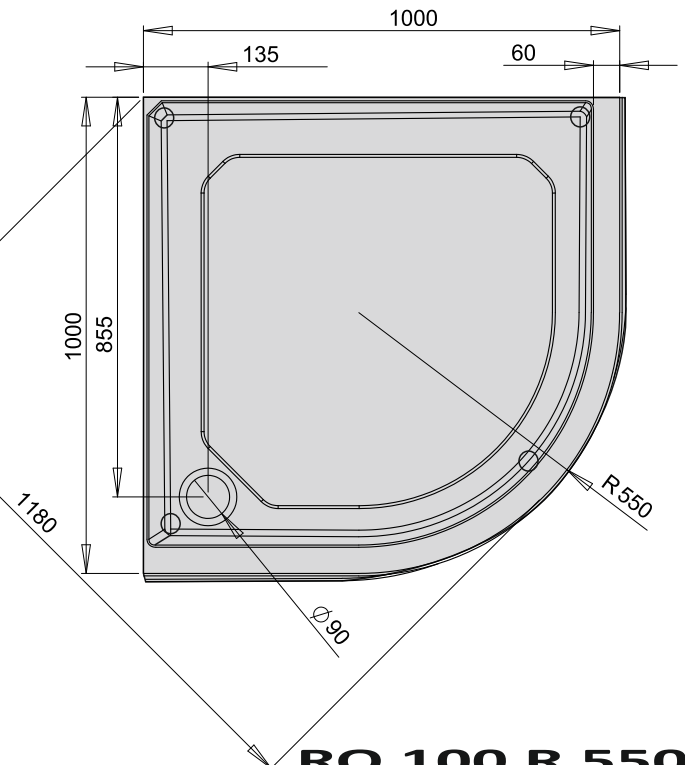
**RO 90 R 550**



**RO 80 R 550**



**RO 90 R 500**



**RO 100 R 550**

- Allowable deviation limit of product`s length and width up to 1 meter:  $\pm 5\text{mm}$ ; over 1 meter:  $-5\text{mm} / +10\text{mm}$ .
- PAA reserves the right to discontinue or change models, colours and design specifications without prior notice and without incurring of any obligations.

**CLASSIC RO**